

## RFID UHF Transponder with SPI Master Interface

Advanced Information D18BL01 EPC Gen 2, (ISO 18000-6c)

### Features

- Provides RFID access to any SPI slave
- Fully compliant with ISO 18000-6c
- Compliant with EPC GEN 2 Class 3 (semi-passive)
- Inventory round fully supported
- Data transfer rate up to 640 kb/s
- Configurable EPC and TID memory
- 1 kb user accessible EEPROM (User memory)
- SPI transfer rate up to 1 MHz
- Custom commands from reader to SPI
- Available in 10-lead SOIC, other packages on request
- Known Good Die on request

### Description

The DELTA Microelectronics D18BL01 is an EPC GEN 2 Class 3 transponder equipped with a master SPI interface. All mandatory EPC GEN 2 Class 1 protocol commands are supported.

Custom commands allow direct access to SPI slave resources. With an adapted antenna operation up to 6 m from reader is possible.

Reference design exists.

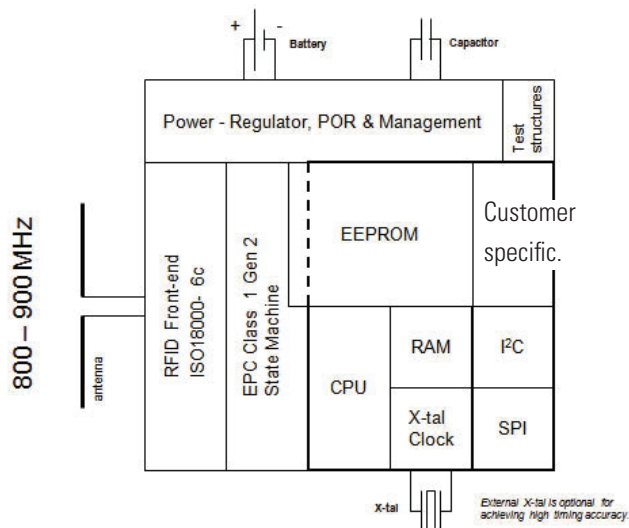
### Possible application areas

RF reading of temperature, acceleration, pressure, tilt, voltage, light etc.

### For further information please contact

Gert Jørgensen – [gj@delta.dk](mailto:gj@delta.dk)

Gunnar Bjarne Andersen – [gba@delta.dk](mailto:gba@delta.dk)



### DELTA

Venlighedsvej 4  
2970 Hørsholm  
Denmark  
Tel. +45 72 19 40 00  
[asic@delta.dk](mailto:asic@delta.dk)  
[madebydelta.com](http://madebydelta.com)